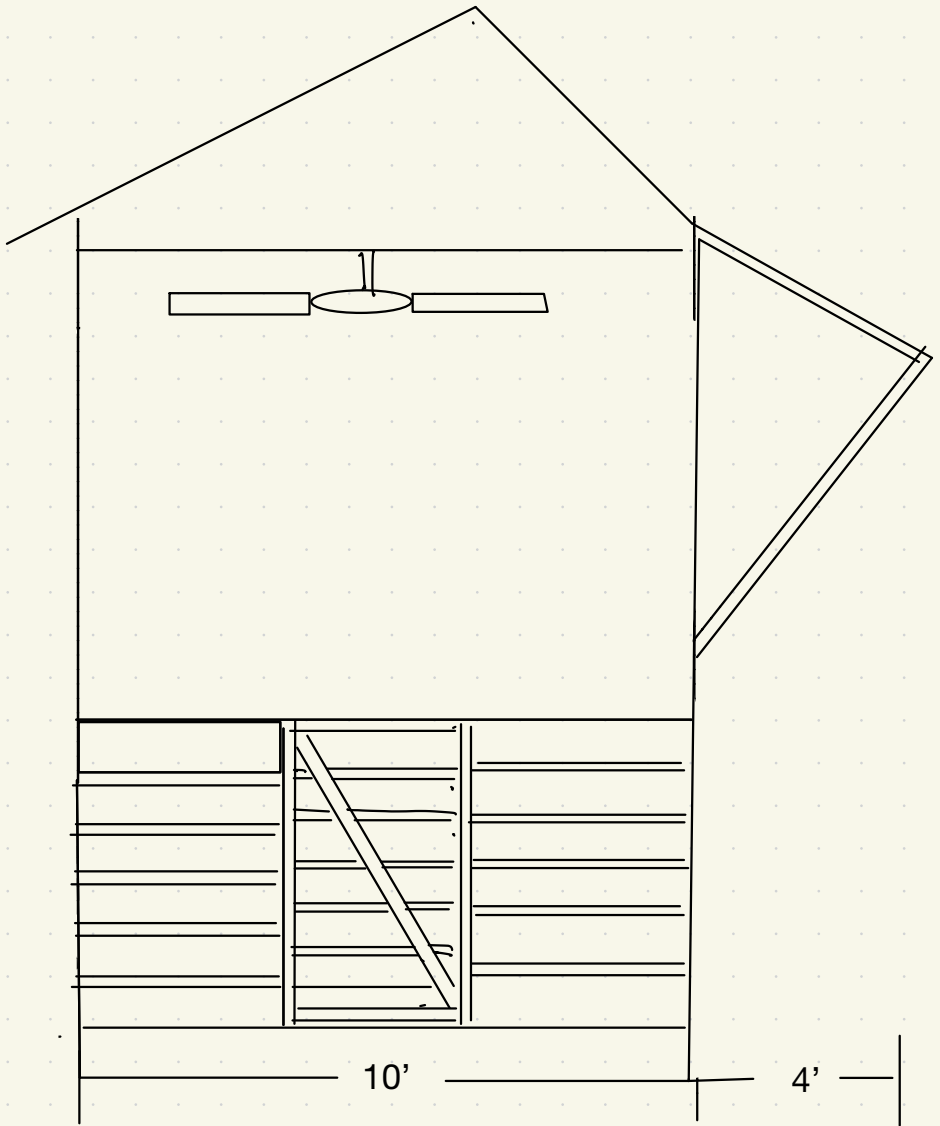
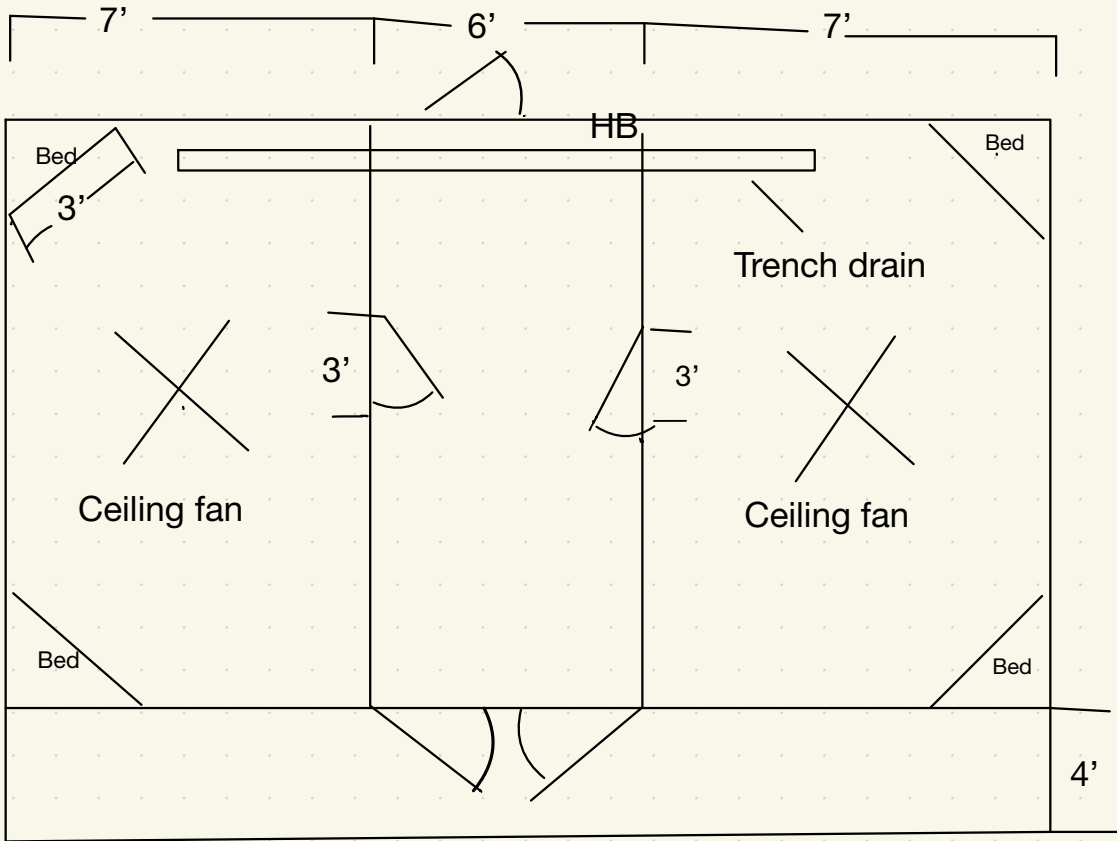


New goat
barn

Remove existing fence and use barn front
as goat containment



Cross section

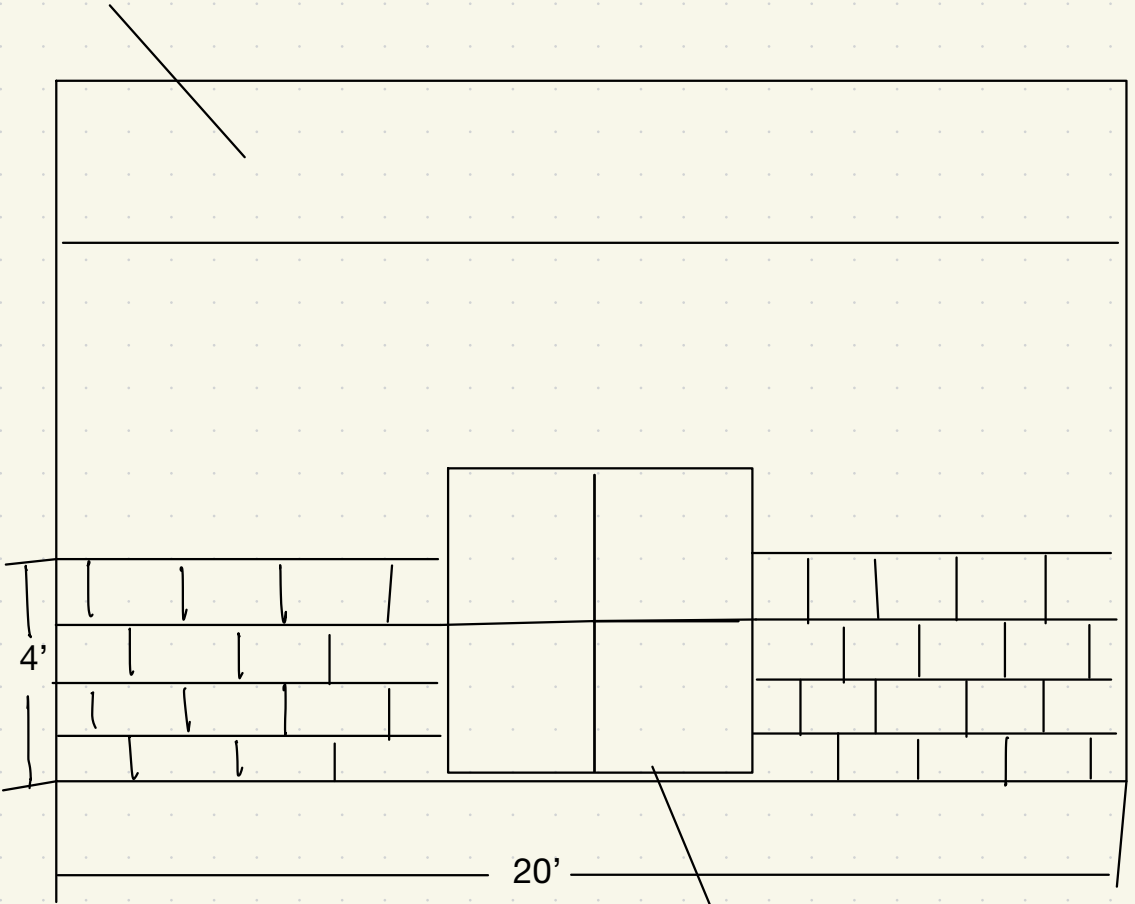


Plan

Building needs:

- hose bib
- Light over each stall and center aisle
- Skylight? Nice but not a must
- Ceiling fan X 2
- Bed in each corner. See pic for what this looks like
- Glass block windows a plus but not a must have

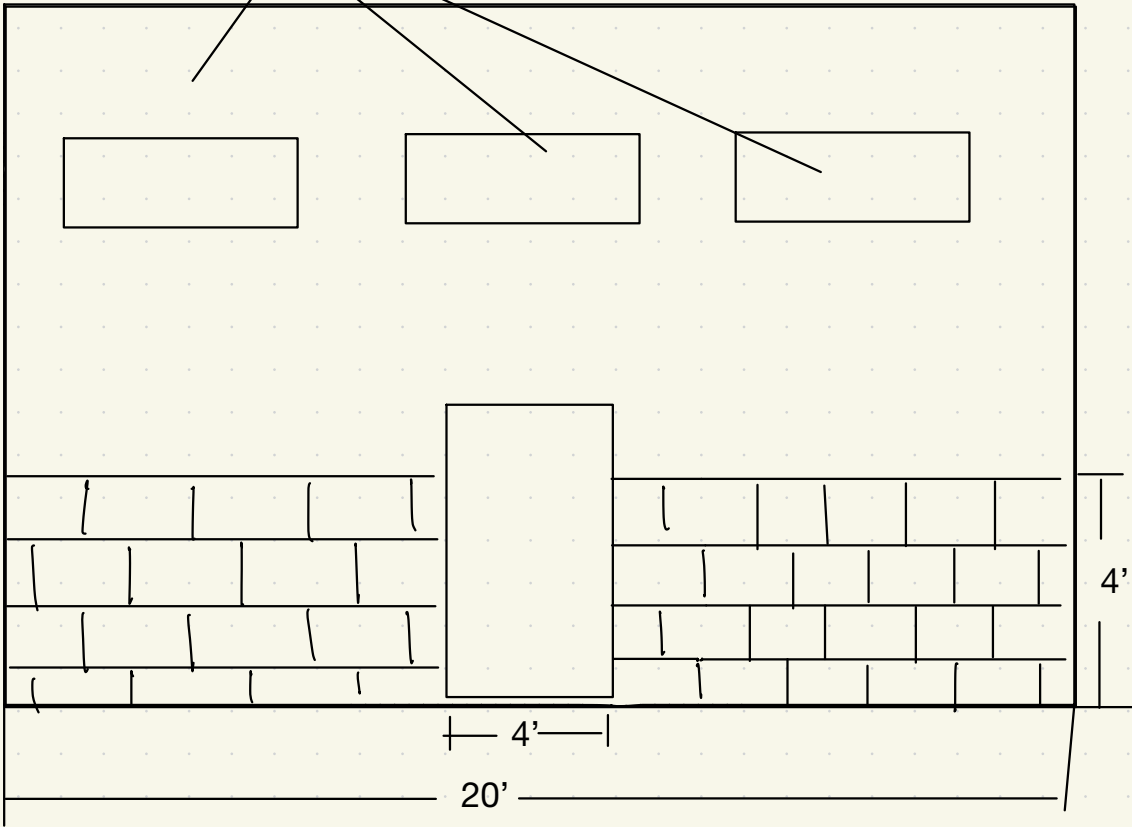
4' awning/ overhang



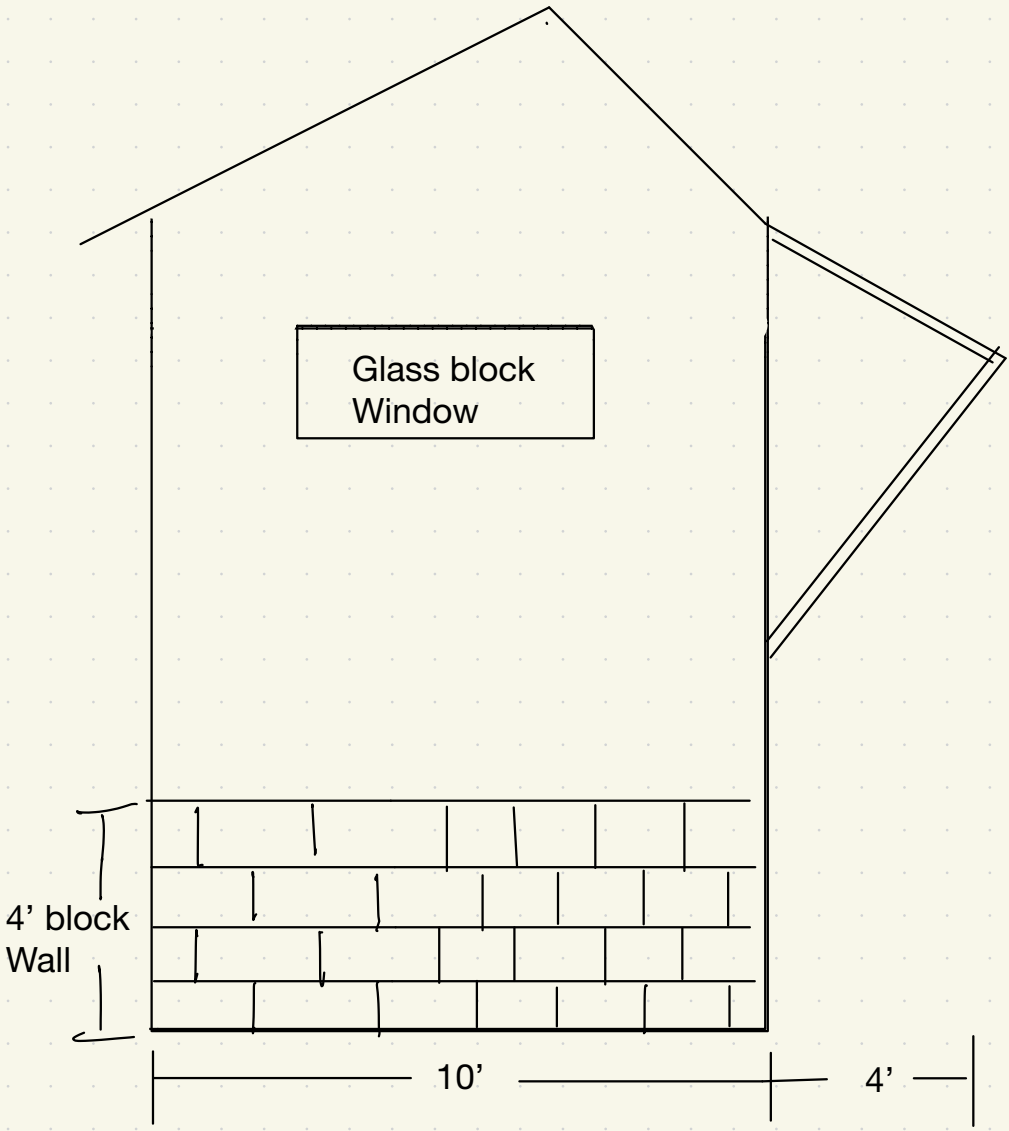
Front

Double door & Dutch door

Glass block windows X3



Back



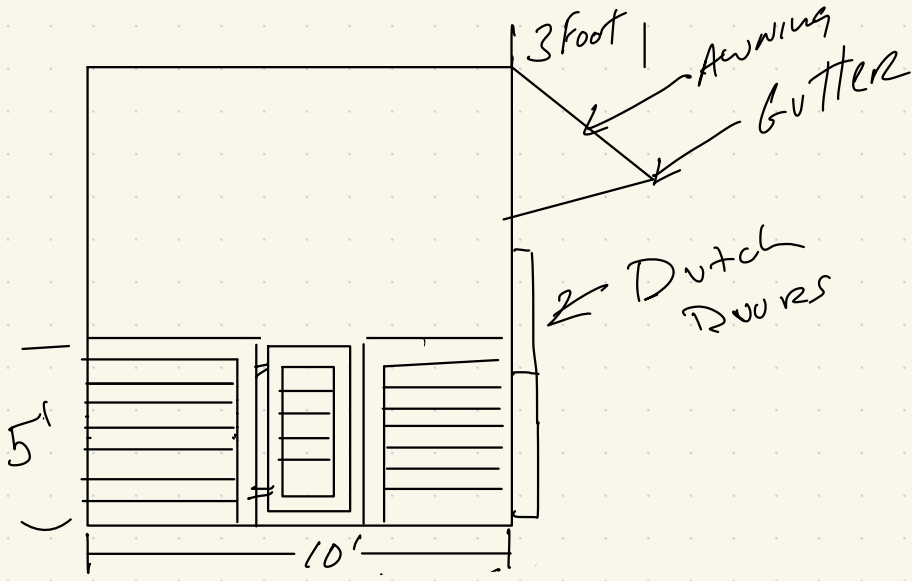
Glass block
Window

4' block
Wall

10'

4'

Side



CROSS SECTION